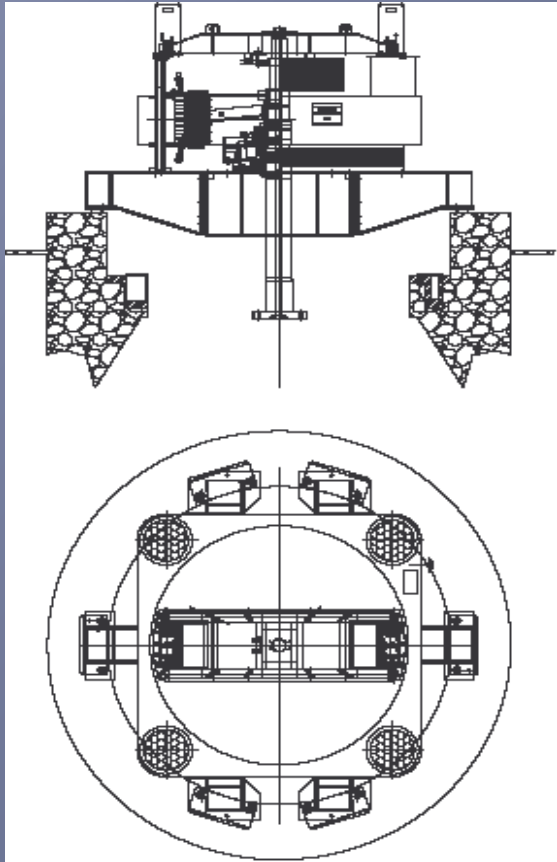


# CLASSIC

Direct Drive Generator



**POWER : 1600 kVA**

**SPEED : 187 rpm**

**HPP : GORIZIA / ITALIA**

